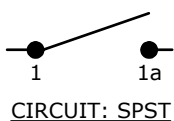


RECOMMENDED PANEL MOUNTING

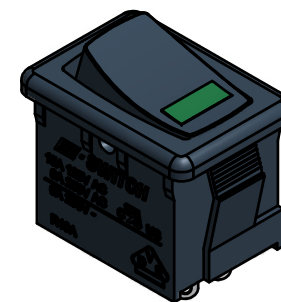
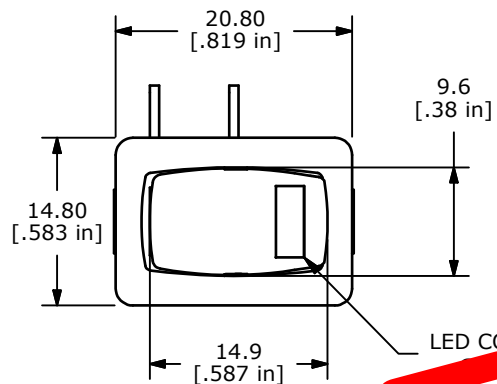
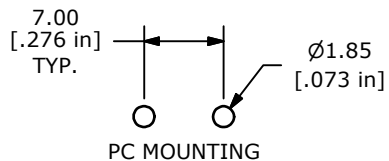
PANEL THICKNESS	X
0.75-1.25	19.2
1.25-2.00	19.4
2.00-3.00	19.6

SWITCH FUNCTION	
POS. 1	POS. 3
ON	OFF
1a-1	OPEN

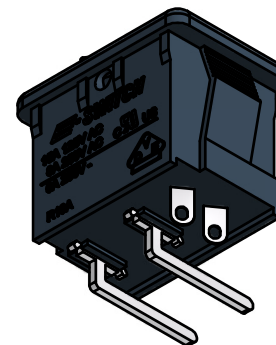
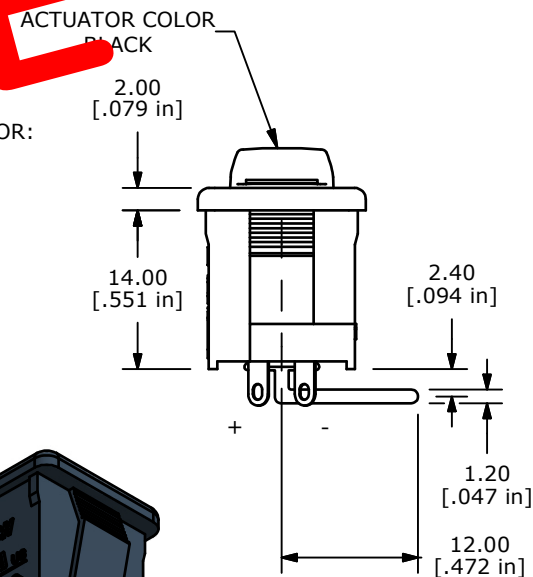


NOTES:

1. ALL DIMENSIONS IN MM [INCH]
2. GENERAL TOLERANCE: X.X=±0.4  
X.XX=±0.25
3. TERM. NOS. FOR REF. ONLY
4. RATING: 15A @125VAC;  
8A @250VAC.
- ▲ 5. LED COLOR: GREEN, VOLTAGE: 2.2VDC
6. MATERIAL:  
CONTACT SURFACE: COIN SILVER, SILVER PLATED.  
TERMINAL: COPPER ALLOY W/SILVER PLATE
7. ELECTRICAL LIFE: 10,000 CYCLES
8. CONTACT RESISTANCE: <20 MILLI-OHMS INITIAL
9. DIELECTRIC STRENGTH: >1,500V AC 1 MIN
10. ▲ DENOTES CRITICAL PARAMETER.
11. 2002/95/EC (ROHS) COMPLIANT



OBSOLETE  
 November 2017  
 PCR 23109



REV	PCR NO	DESCRIPTION	DATE	BY
B	21425	ADD LED TERMINAL LENGTH	4/3/14	EBP
A	21397	RELEASED FOR PRODUCTION	3/7/14	EBP

TITLE R1966ABLKBLKELGRN				
SCALE	DATE	DR	DWG	REV
	3/7/2014	EBP	M309339	B

THE INFORMATION CONTAINED IN THIS DOCUMENT IS PROPRIETARY TO E-SWITCH AND IS NOT TO BE COPIED OR TRANSFERRED